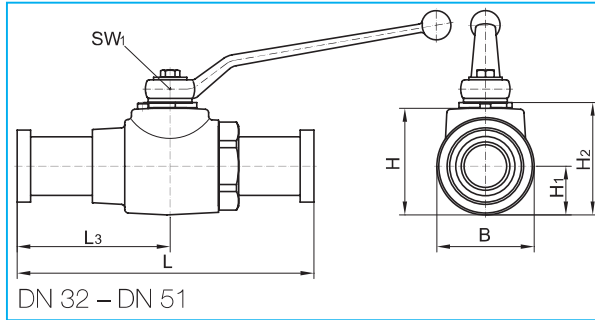
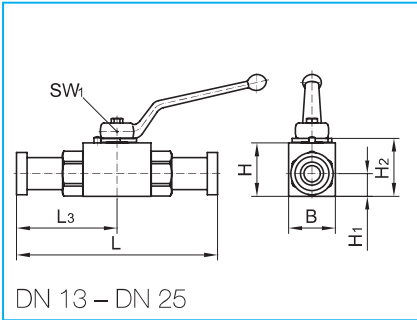


## 2-way ball valves with flange connection

Steel · ISO 6162 (SAE) · DN 13 - DN 51 · for split flanges



Handle and o-ring included in delivery  
For actuators and handles refer to "Attachments, accessories"

Custom orders on request

All dimensions subject to change without notice

Dimensions in mm

Weight in kg

Pressure in bar

**DN 32 - DN 51 also available with completely assembled full flanges**

Body:	steel, black oxide	steel, black oxide
Ball:	steel, hard chrome plated	steel, hard chrome plated
Stem:	steel, zinc plated	steel, zinc plated
Ball seals:	POM	POM
Stem seals:	NBR	FKM

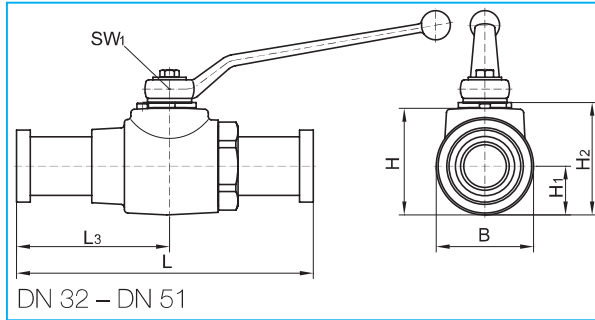
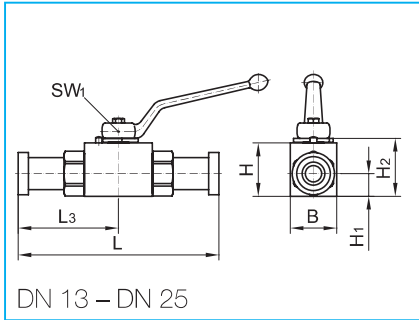
Connection	DN	Flange-size (inch)	D1	D2	L	L2	L3	B	H	H1	H2	SW1	Handle Code	Weight
<p>ISO 6162-1</p>	13	1/2	30,20	24,0	151,0	6,8	75,5	35	40	17,0	43,5	10	14	0,9
	19	3/4	38,10	31,5	162,0	6,8	81,0	45	55	24,0	59,0	14	15	1,7
	25	1	44,45	38,0	178,0	8,0	89,0	55	60	26,0	64,0	14	15	2,5
	32	1 1/4	50,80	43,0	195,0*	8,0	99,0	73	80	36,5	84,5	17	21	3,8
	38	1 1/2	60,35	50,0	231,0*	8,0	115,5	85	90	42,5	94,5	17	21	4,5
	51	2	71,40	62,0	232,0*	9,6	116,5	99	104	49,5	108,5	17	22	6,1
<p>ISO 6162-2</p>	13	1/2	31,8	24	151	7,8	75,5	35	40	17,0	43,5	10	14	1,0
	19	3/4	41,3	32	174	8,8	87,0	45	55	24,0	59,0	14	15	1,8
	25	1	47,6	38	198	9,5	99,0	55	60	26,0	64,0	14	15	2,6
	32	1 1/4	54,0	44	227*	10,3	115,0	73	80	36,5	84,5	17	21	4,0
	38	1 1/2	63,5	51	281	12,6	140,5	85	90	42,5	94,5	17	21	5,6
	51	2	79,4	67	316	12,6	158,5	99	104	49,5	108,5	17	22	7,7

DN	O-Ring	PN	Article-No.	PN	Article-No.
13	18,64 x 3,53	350	104 523	350	104 533
19	24,99 x 3,53	350	104 524	350	104 534
25	32,92 x 3,53	320	104 501	320	104 511
32	37,69 x 3,53	280	104 502	280	104 512
38	47,22 x 3,53	210	104 503	210	104 513
51	56,74 x 3,53	210	104 504	210	104 514
13	18,64 x 3,53	420	104 528	420	104 538
19	24,99 x 3,53	420	104 529	420	104 539
25	32,92 x 3,53	420	104 505	420	104 515
32	37,69 x 3,53	420	104 506	420	104 516
38	47,22 x 3,53	420	104 507	420	104 517
51	56,74 x 3,53	420	104 508	420	104 518

\*) Please regard changed dimensions!



Stainless steel · ISO 6162 (SAE) · DN 13 - DN 51 · for split flanges



Handle and o-ring included in delivery  
For actuators and handles refer to "Attachments, accessories"  
Stainless steel (material no.1.4571 - or other stainless steels)  
Custom orders on request  
All dimensions subject to change without notice

Dimensions in mm  
Weight in kg  
Pressure in bar

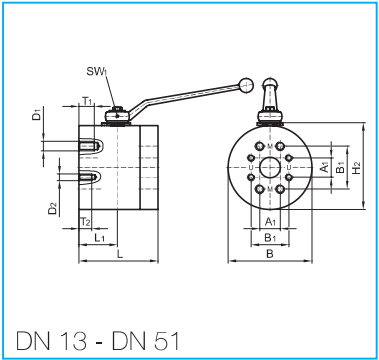
**Also available with completely assembled full flanges**

Body:	stainless steel	stainless steel	
Ball:	stainless steel	stainless steel	
Stem:	stainless steel	stainless steel	
Ball seals:	POM	POM	
Stem seals:	NBR	FKM	
Handle:	zinc, die cast	zinc, die cast	DN 13 - DN 25
Stop plate:	steel, zinc plated	steel, zinc plated	DN 13 - DN 25
Handle:	stainless steel	stainless steel	DN 32 - DN 51
Stop plate:	stainless steel	stainless steel	DN 32 - DN 51

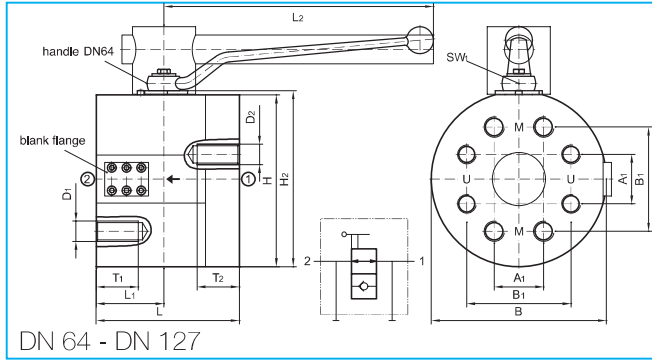
Connection	DN	Flange-size (inch)	D1	D2	L	L2	L3	B	H	H1	H2	SW1	Handle Code	Weight
<p>ISO 6162-1</p>	13	1/2	30,20	24,0	151,0	6,8	75,5	35	40	17,0	43,5	10	14	0,9
	19	3/4	38,10	31,5	162,0	6,8	81,0	45	55	24,0	59,0	14	15	1,7
	25	1	44,45	38,0	178,0	8,0	89,0	55	60	26,0	64,0	14	15	2,5
	32	1 1/4	50,80	43,0*	195,0	8,0	99,0	73	80	36,5	84,5	17	37	3,8
	38	1 1/2	60,35	50,0*	231,0	8,0	115,5	85	90	42,5	94,5	17	37	4,5
	51	2	71,40	62,0*	232,0	9,6	116,5	99	104	49,5	108,5	17	38	6,1
<p>ISO 6162-2</p>	13	1/2	31,8	24	151	7,8	75,5	35	40	17,0	43,5	10	14	1,0
	19	3/4	41,3	32	174	8,8	87,0	45	55	24,0	59,0	14	15	1,8
	25	1	47,6	38	198	9,5	99,0	55	60	26,0	64,0	14	15	2,6
	32	1 1/4	54,0	44	227	10,3	115,0	73	80	36,5	84,5	17	37	4,0
	38	1 1/2	63,5	51	281	12,6	140,5	85	90	42,5	94,5	17	37	5,6
	51	2	79,4	67	316	12,6	158,5	99	104	49,5	108,5	17	38	7,7

DN	O-Ring	PN	Article-No.	PN	Article-No.
13	18,64 x 3,53	350	104 315	350	104 327
19	24,99 x 3,53	350	104 316	350	104 328
25	32,92 x 3,53	320	104 317	320	104 329
32	37,69 x 3,53	280	104 318	280	104 330
38	47,22 x 3,53	210	104 319	210	104 331
51	56,74 x 3,53	210	104 320	210	104 332
13	18,64 x 3,53	420	104 321	420	104 333
19	24,99 x 3,53	420	104 322	420	104 334
25	32,92 x 3,53	420	104 323	420	104 335
32	37,69 x 3,53	420	104 324	420	104 336
38	47,22 x 3,53	420	104 325	420	104 337
51	56,74 x 3,53	420	104 326	420	104 338





DN 13 - DN 51



DN 64 - DN 127

Handle and o-ring included in delivery  
For handle refer to "Attachments, accessories".  
Actuators and custom orders on request  
All dimensions subject to change without notice  
Dimensions in mm  
Weight in kg  
Pressure in bar

**Bypass-ball valve instead of blank flange retrofittable,  
also deliverable completely assembled with bypass-ball valve**

**NEW!**  
Metric and UNC-  
thread in the same  
body!

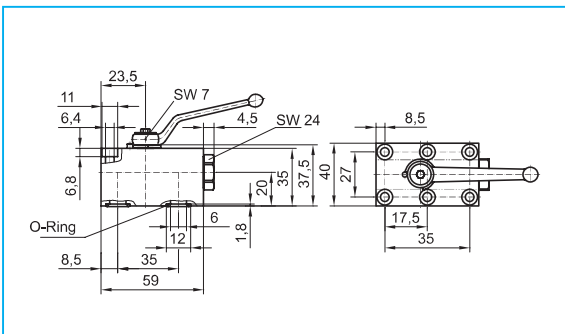
\*) DN 64 - DN 127: steel, zinc plated

Body:	steel, black oxide*	steel, black oxide*
Ball:	steel, hard chrome plated	steel, hard chrome plated
Stem:	steel, zinc plated	steel, zinc plated
Ball seals:	POM	POM
Stem seals:	NBR	FKM

Connection	DN	Flange-size (inch)	D1	T1	D2	T2	A1	B1	L	L1	B	H	H2	SW1	Handle Code	Weight	DN	PN	Article-No.	PN	Article-No.
ISO 6162-1	13	1/2	M8	14	9/16-18 UNC	21	17,5	38,1	76	38,0	55	54,0	57,5	10	14	1,3	13	350	104 200	350	104 206
	19	3/4	M10	18	3/8-16 UNC	22	22,2	47,6	79	36,5	70	66,0	70,0	14	15	2,1	19	350	104 201	350	104 207
	25	1	M10	16	9/8-16 UNC	22	26,2	52,4	80	34,0	78	73,0	77,0	14	15	2,6	25	320	104 202	320	104 208
	32	1 1/4	M10	22	7/16-14 UNC	28	30,2	58,7	123	60,0	130	130,0	134,5	17	21	11,8	32	280	104 175	280	104 185
	38	1 1/2	M12	25	1/2-13 UNC	27	35,7	69,9	133	61,0	140	140,0	144,5	17	21	13,6	38	210	104 176	210	104 186
	51	2	M12	25	1/2-13 UNC	27	42,9	77,8	162	79,0	160	158,0	162,5	17	22	20,9	51	210	104 177	210	104 187
	64	2 1/2	M12	27	1/2-13 UNC	27	50,8	88,9	150	75,5	180	175,0	180,0	17	22	28,0	64	-	-	175	104 213
	76	3	M16	30	5/8-11 UNC	30	61,9	106,4	155	80,5	208	202,0	-	19	58	43,0	76	-	-	160	104 214
	102	4	M16	30	5/8-11 UNC	30	77,8	130,2	170	85,0	258	251,0	-	27	57	73,0	102	-	-	35	104 215
	127	5	M16	30	5/8-11 UNC	30	92,1	152,4	210	105,0	295	287,5	-	27	57	108,0	127	-	-	35	104 216
ISO 6162-2	13	1/2	M8	16	9/16-18 UNC	21	18,2	40,5	81,0	40,5	59	36,0	59,5	10	14	1,7	13	420	104 203	420	104 209
	19	3/4	M10	18	3/8-16 UNC	24	23,8	50,8	83,0	41,5	74	72,0	76,0	14	15	2,6	19	420	104 204	420	104 210
	25	1	M12	23	7/16-14 UNC	27	27,8	57,2	99,5	49,5	85	82,7	86,7	14	15	4,0	25	420	104 205	420	104 211
	32	1 1/4	M12*	20	1/2-13 UNC	25	31,8	66,7	123,0	60,0	130	130,0	134,5	17	21	11,8	32	420	104 182	420	104 192
	38	1 1/2	M16	27	5/8-11 UNC	35	36,5	79,4	133,0	61,0	140	140,0	144,5	17	21	13,6	38	420	104 183	420	104 193
	51	2	M20	35	3/4-10 UNC	38	44,5	96,8	162,0	79,0	160	158,0	162,5	17	22	20,9	51	420	104 184	420	104 194
	64	2 1/2	M24	50	7/8-9 UNC	50	58,7	123,8	170,0	80,5	208	204,0	209,0	17	22	42,0	64	-	-	420	104 217
76	3	M30	60	1 1/8-7 UNC	60	71,4	152,4	196,0	91,0	248	231,0	-	19	58	74,0	76	-	-	420	104 218	

\* ISO change from M14 to M12

**Bypass-ball valve for DN 64 - DN 127**



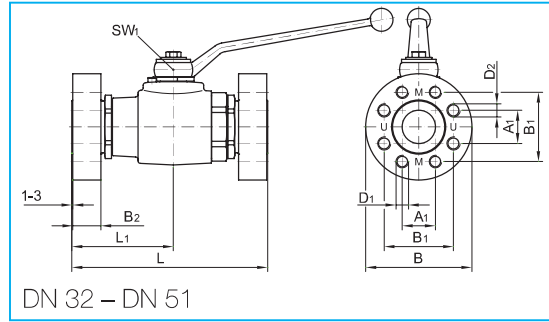
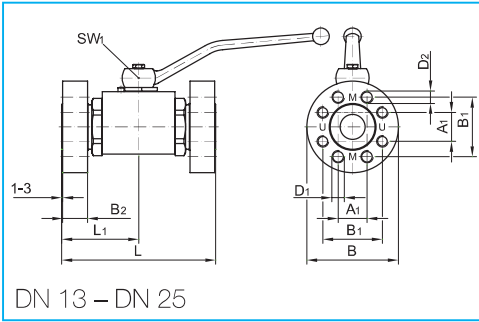
DN	Handle Code	Weight	O-Ring
6	12	0,58	7,50 x 2,50

Article-No.
106 040

Bolts included in delivery



Steel · ISO 6162 (SAE) · DN 13 - DN 51



For dimensions of ball valves refer to the respective chapter "2-way ball valves".

For handle refer to "Attachments, accessories"

Custom orders on request

All dimensions subject to change without notice

Dimensions in mm

Weight in kg

Pressure in bar

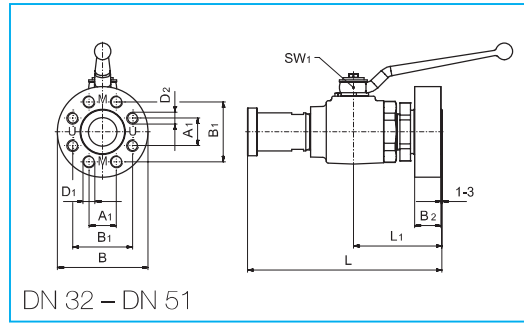
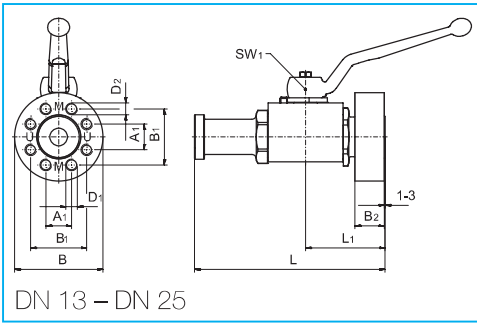
Body:	steel, black oxide	steel, black oxide
Ball:	steel, hard chrome plated	steel, hard chrome plated
Stem:	steel, zinc plated	steel, zinc plated
Ball seals:	POM	POM
Stem seals:	NBR	FKM

Connection	DN	Flange - size (inch)	D1	D2	A1	B1	B2	L	L1	B	SW1	Handle Code	Weight	DN	PN	Article-No.	PN	Article-No.
ISO 6162-1	13	1/2	M8	5/16-18 UNC	17,5	38,1	20	108,0	54,0	60	10	14	1,30	13	350	104 286	350	104 293
	19	3/4	M10	3/8 - 16 UNC	22,2	47,6	22	131,0	65,5	70	14	15	2,60	19	350	104 287	350	104 294
	25	1	M10	3/8 - 16 UNC	26,2	52,4	22	144,0	72,0	75	14	15	3,70	25	320	104 288	320	104 295
	32	1 1/4	M10	7/16- 14 UNC	30,2	58,7	25	200,0	66,0	85	17	21	8,30	32	280	104 289	280	104 296
	38	1 1/2	M12	1/2 - 13 UNC	35,7	69,9	27	235,0	117,5	100	17	21	9,50	38	210	104 290	210	104 297
	51	2	M12	1/2 - 13 UNC	42,9	77,8	27	285,0	129,5	110	17	22	13,10	51	210	104 291	210	104 298
ISO 6162-2	13	1/2	M8	5/16- 18 UNC	18,2	40,5	21	108,0	54,0	60	10	14	1,40	13	420	104 300	420	104 307
	19	3/4	M10	3/8 - 16 UNC	23,8	50,8	24	131,0	65,5	80	14	15	2,80	19	420	104 301	420	104 308
	25	1	M12	7/16- 14 UNC	27,8	57,2	27	144,0	72,0	90	14	15	4,10	25	420	104 302	420	104 309
	32	1 1/4	M12	1/2 - 13 UNC	31,8	66,7	25	200,0	66,0	100	17	21	4,95	32	420	104 303	420	104 310
	38	1 1/2	M16	5/8 - 11 UNC	36,5	79,4	35	235,0	117,5	120	17	21	10,20	38	420	104 304	420	104 311
	51	2	M20	3/4 - 10 UNC	44,5	96,8	38	285,0	129,5	140	17	22	14,10	51	420	104 305	420	104 312



## 2-way ball valves with flange connection

Steel · ISO 6162 (SAE) · DN 13 - DN 51 · for split flanges +  
flange connection



For dimensions of ball valves refer to the respective chapter "2-way ball valves".

For handle refer to "Attachments, accessories"

Custom orders on request

All dimensions subject to change without notice

Dimensions in mm

Weight in kg

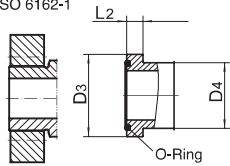
Pressure in bar

**DN 32 - DN 51 also available with completely assembled full flanges**

Body:	steel, black oxide	steel, black oxide
Ball:	steel, hard chrome plated	steel, hard chrome plated
Stem:	steel, zinc plated	steel, zinc plated
Ball seals:	POM	POM
Stem seals:	NBR	FKM

Connection	DN	Flange-size (inch)	D1	D2	A1	B1	B2	D3	D4	L	L1	L2	B	SW1	Handle Code	Weight
------------	----	--------------------	----	----	----	----	----	----	----	---	----	----	---	-----	-------------	--------

ISO 6162-1

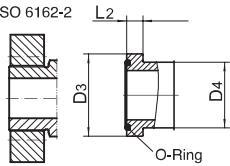


13	1/2	M8	9/16-18 UNC	17,5	38,1	20	30,20	24,0	129,5	54,0	6,8	60	10	14	1,10
19	3/4	M10	3/8-16 UNC	22,2	47,6	22	38,10	31,5	146,5	65,5	6,8	70	14	15	2,15
25	1	M10	3/8-16 UNC	26,2	52,4	22	44,45	38,0	161,0	72,0	8,0	75	14	15	3,10
32	1 1/4	M10	7/16-14 UNC	30,2	58,7	25	50,80	43,0	196,0	104,0	8,0	85	17	21	6,05
38	1 1/2	M12	1/2-13 UNC	35,7	69,9	27	60,35	50,0	233,0	117,5	8,0	100	17	21	7,00
51	2	M12	1/2-13 UNC	42,9	77,8	27	71,40	62,0	245,0	129,5	9,6	110	17	22	9,60

DN	O-Ring	PN	Article-No.	PN	Article-No.
----	--------	----	-------------	----	-------------

13	18,64 x 3,53	350	104 340	350	104 352
19	24,99 x 3,53	350	104 341	350	104 353
25	32,92 x 3,53	320	104 342	320	104 354
32	37,69 x 3,53	280	104 343	280	104 355
38	47,22 x 3,53	210	104 344	210	104 356
51	56,74 x 3,53	210	104 345	210	104 357

ISO 6162-2

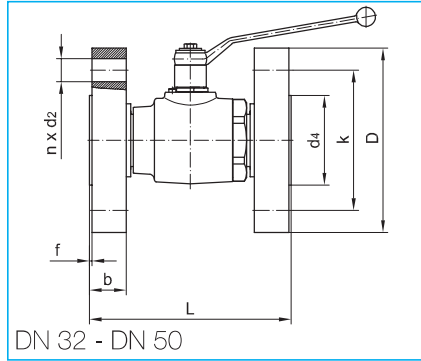
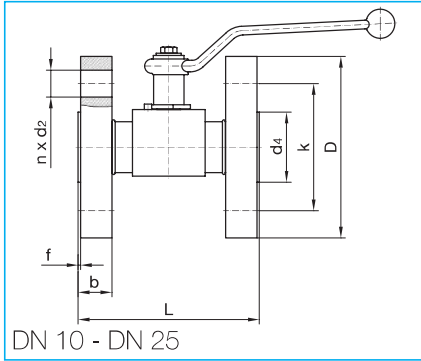


13	1/2	M8	9/16-18 UNC	18,2	40,5	21	31,8	24,0	129,5	54,0	7,8	60	10	14	1,20
19	3/4	M10	3/8-16 UNC	23,8	50,8	24	41,3	32,0	152,5	65,5	8,8	80	14	15	2,30
25	1	M12	7/16-14 UNC	27,8	57,2	27	47,6	38,0	171,0	72,0	9,5	90	14	15	3,35
32	1 1/4	M12	1/2-13 UNC	31,8	66,7	25	54,0	44,0	212,0	104,0	10,3	100	17	21	4,13
38	1 1/2	M16	5/8-11 UNC	36,5	79,4	35	63,5	51,0	258,0	117,5	12,6	120	17	21	7,90
51	2	M20	3/4-10 UNC	44,5	96,8	38	79,4	67,0	287,0	129,5	12,6	140	17	22	10,90

13	18,64 x 3,53	420	104 346	420	104 358
19	24,99 x 3,53	420	104 347	420	104 359
25	32,92 x 3,53	420	104 348	420	104 360
32	37,69 x 3,53	420	104 349	420	104 361
38	47,22 x 3,53	420	104 350	420	104 362
51	56,74 x 3,53	420	104 351	420	104 363



Steel · DIN · DN 10 - DN 50 · adjustable



Flange-connecting dimension: DIN EN 1092-1 (DIN 2501-1)  
Overall length PN 25 - PN 320: DIN EN 558 basic range 1 (DIN 3202-1-F1)  
Overall length PN 400: DIN EN 558 basic range 2 (DIN 3202-1-F2)  
For dimensions of ball valves refer to the respective chapter "2-way ball valves".

Custom orders on request  
All dimensions subject to change without notice  
Dimensions in mm  
Weight in kg  
Pressure in bar

Body:	steel, black oxide	steel, black oxide	steel, black oxide
Ball:	steel, hard chrome plated	steel, hard chrome plated	steel, hard chrome plated
Stem:	steel, zinc plated	steel, zinc plated	steel, zinc plated
Ball seals:	POM	POM	PTFE-Comp.3
Stem seals:	NBR	FKM	FKM

Connection	DN	D	b	k	d4	f	Number n	d2	L	Weight	
PN 25	10	90	16	60	40	2	4	14	130	2,1	
	PN 40	15	95	16	65	45	2	4	14	130	2,7
		20	105	18	75	58	2	4	14	150	3,8
		25	115	18	85	68	2	4	14	160	4,9
		32	140	18	100	78	2	4	18	180	7,0
		40	150	18	110	88	3	4	18	200	8,9
50	165	20	125	102	3	4	18	230	12,2		
PN 63	10	100	20	70	40	2	4	14	130	2,9	
	15	105	20	75	45	2	4	14	130	3,5	
	20	130	22	90	58	2	4	18	150	5,7	
	25	140	24	100	68	2	4	18	160	7,6	
	32	155	24	110	78	2	4	22	180	9,8	
	40	170	26	125	88	3	4	22	200	12,6	
50	180	26	135	102	3	4	22	230	15,3		
PN 100	10	100	20	70	40	2	4	14	130	2,9	
	15	105	20	75	45	2	4	14	130	3,5	
	20	130	22	90	58	2	4	18	150	5,7	
	25	140	24	100	68	2	4	18	160	7,6	
	32	155	24	110	78	2	4	22	180	9,8	
	40	170	26	125	88	3	4	22	200	12,6	
50	195	28	145	102	3	4	26	230	17,9		
PN 160	10	100	20	70	40	2	4	14	130	2,9	
	15	105	20	75	45	2	4	14	130	3,5	
	25	140	24	100	68	2	4	18	160	7,6	
	40	170	28	125	88	3	4	22	200	13,2	
	50	195	30	145	102	3	4	26	230	18,7	
PN 250	10	125	24	85	40	2	4	18	130	5,0	
	15	130	26	90	45	2	4	18	130	6,2	
	25	150	28	105	68	2	4	22	160	9,5	
	40	185	34	135	88	3	4	26	200	17,2	
	50	200	38	150	102	3	8	26	230	22,6	
PN 320	10	125	24	85	40	2	4	18	130	5,0	
	15	130	26	90	45	2	4	18	130	6,2	
	25	160	34	115	68	2	4	22	160	12,5	
	40	195	38	145	88	3	4	26	200	20,5	
50	210	42	160	102	3	8	26	230	26,4		
PN 400	10	125	28	85	40	2	4	18	210	6,0	
	15	145	30	100	45	2	4	22	210	9,0	
	25	180	38	130	68	2	4	26	230	17,4	
	40	220	48	165	88	3	4	30	260	31,9	
	50	235	52	180	102	3	8	30	300	38,9	

DN	Article-No.	Article-No.	Article-No.
10	109 212	109 219	109 200
15	109 213	109 220	109 201
20	109 214	109 221	109 202
25	109 215	109 222	109 203
32	109 216	109 223	109 204
40	109 217	109 224	109 205
50	109 218	109 225	109 206
10	109 226	109 231	109 236
15	109 227	109 232	109 237
20	109 272	109 274	109 276
25	109 228	109 233	109 238
32	109 273	109 275	109 277
40	109 229	109 234	109 239
50	109 230	109 235	109 240
10	109 226	109 231	109 236
15	109 227	109 232	109 237
20	109 272	109 274	109 276
25	109 228	109 233	109 238
32	109 273	109 275	109 277
40	109 229	109 234	109 239
50	109 241	109 242	109 243
10	109 226	109 231	109 236
15	109 227	109 232	109 237
25	109 228	109 233	109 238
40	109 244	109 246	-
50	109 245	109 247	-
10	109 207	109 251	109 256
15	109 208	109 252	109 257
25	109 248	109 253	109 258
40	109 249	109 254	-
50	109 250	109 255	-
10	109 207	109 251	109 256
15	109 208	109 252	109 257
25	109 209	109 259	-
40	109 210	109 260	-
50	109 211	109 261	-
10	109 262	109 267	-
15	109 263	109 268	-
25	109 264	109 269	-
40	109 265	109 270	-
50	109 266	109 271	-